

High Power Directional Coupler

RFCOMPONENTS.COM.AU

General Description

300W 138-960MHz Directional Coupler(138-960MHz, N Female)

Features & Benefits

- Guaranteed Parameters Compliance
- Low Frequency Band Covering 138-960MHz
- Low Insertion Loss
- Low VSWR
- Indoor Using IP60
- Available with Type N, 7/16DIN or 4.3/10 Connectors

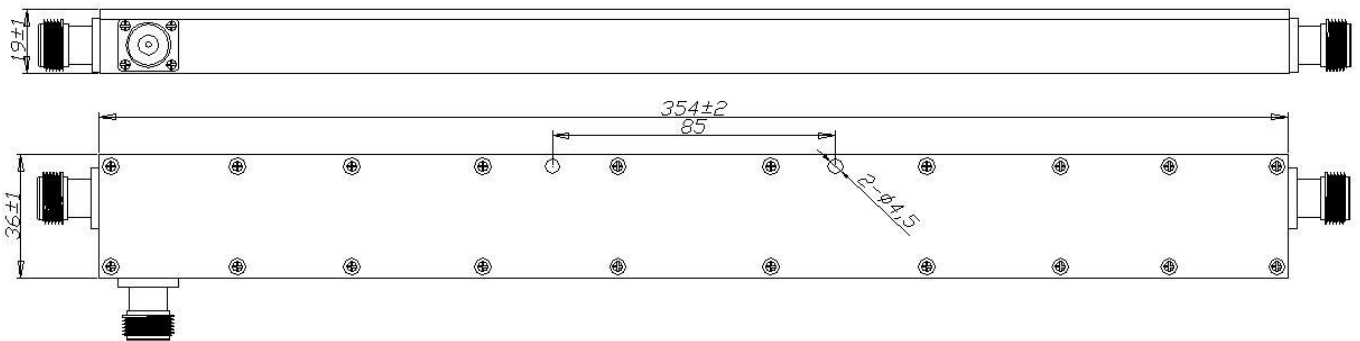


Image

Electrical & Mechanical Specifications

Model No.	RFDC-XX-1396-NF (XX means coupling in dB)									
Coupling(dB)	3	4.8	6	7	8	10	15	20	30	40
Accuracy(dB)	±1.3	±1.4	±1.5	±1.7	±1.8	±2.0	±2.0	±2.0	±2.5	±3.0
Insertion Loss(dB)	≤3.6 5	≤2.2 0	≤1.7 5	≤1.4 5	≤1.3 5	≤0.9 0	≤0.7 0	≤0.5 0	≤0.3 0	≤0.30 0
Isolation	≥18	≥19	≥21	≥22	≥23	≥25	≥28	≥30	≥43	≥50
Freq(MHz)	138-960MHz									
VSWR	≤1.30									
Power Rating(W)	300W (average Per Port)									
Impedance	50 ohm									
Connector	N Female									
Color	Red-plated									
Operating Temp(°C)	-25° C to +75° C									
Weight(kg)	0.56									

Mechanical Drawing



Dimensions in mm